

CHATRAPUR MUNICIPALITY

Letter No. 1328

Date.20.06.2026

"e" Procurement Notice

Tender Reference No. – CTP – MUN - 03/2026 - 27

Bid documents consisting of work Estimated cost, Cost of Tender Paper EMD, Time of completion, Class of contractor and the set of term and conditions of contract and other necessary documents can be seen in Govt. website, i.e. www.tendersodisha.gov.in .

- | | |
|---|---|
| 1. Name of the Work | Electrical work mentioned in DTCN |
| 2. No of Work | 1 |
| 3. Estimated cost | Item Rate Based |
| 4. Date & time of availability Of bid document in the portal | From 11.00 am of 23.06.2026 to 02.07.2026 up to 4.00 pm |
| 5. Last date / Time for receipt of Bids in the portal | 02.07.2026 up to 4.00 pm |
| 6. Bids received online shall be Opened on | 03.07.2026 at 11.00 am |


Further details can be seen from the e-procurement portal <https://tendersodisha.gov.in>


**Executive officer,
Chatrapur Municipality**

Date 20.06.2026

Memo No 1329(2)

Copy forwarded to the Advertisement Manager, Indian Express , Odisha Express , with a request to publish the above notice for one day on or before 22.06.2026 only for each and submit the bill for payment and Copy forwarded to I & PR Dept, Govt Of Odisha for information.


**Executive officer,
Chatrapur Municipality**

Date 20.06.2026

Memo No 1330

Copy forwarded to The Project Director, D.U.D.A., Ganjam for information and necessary action with a request to display this notice on their office notice board for wide publicity.


**Executive officer,
Chatrapur Municipality**



ଈଡ଼ପୁର, ଗଞ୍ଜାମ ଜିଲ୍ଲା, ୭୬୧୦୨୦
Chatrapur, Dist-Ganjam, 761020
E-mail-nacchatrapur@rediffmail.com /
chatrapur@gmail.com
Web :- www.chatrapurnac.in
Contact No. - (06811) 263975

CHATRAPUR MUNICIPALITY

Letter No. 1327 /NAC.

Date. 20.06.2026

INVITATION OF BIDS

Tender Reference No.-CTP-MUN- 3 / 2025 - 26

The Executive Officer, Chatrapur on behalf of Chatrapur Municipality, Chatrapur invites Item rate bids in conformity with a detailed tender call notice to be eventually drawn up in Municipal Agreement for the execution of work as detailed in table below by online Item Rate tender through e-procurement for execution of the following works. The bid should be submitted by eligible class of contractors of Government of Orissa / Chatrapur NAC/Central Government/MES/Railways having own Digital Signature Certificate through online only at Govt. website <https://tendersodisha.gov.in>. The bidders may submit bids for any or all of the works in the Table as enclosed separately as per their eligibility.

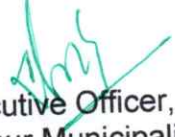
| Sl No | Name of the Work | Estimated Cost in Rs. | Cost of Tender Paper | E.M.D in Rs. | Class of Contractor | Time of Completion |
|-------|--|-----------------------|----------------------|--------------|------------------------------------|--------------------|
| 1 | Supply, Fitting & Fixing of Himust Light & Repair of Himust Light/Street Light at different places of Chatrapur Municipality | - | 6000.00 | 50000.00 | Electrical Contractor – H.T / M. V | 90 DAY |

INVITATION TO BIDDERS:

- The bid documents will be available in the website: www.tendersodisha.gov.in from **11.00 am of 23.06.2026 to 16.00 P.M of 02.07.2026** for online bidding.
- The bidder must possess compatible Digital Signature Certificate (DSC)
- Bids shall be received only "online" on or before **16.00 P.M of 02.07.2026**.
- Technical Bids received online shall be opened at **11.00 A.M of 03.07.2026**. If the office happens to be closed on the date of opening of the bids as specified; the bids will be opened on the next working day at the same time and venue.
- The earnest money deposit should be deposited on the account head shown in the tender, Account no – 203601001025 of ICICI Bank, Chatrapur (IFSC Code – ICIC0002036).
- The cost of bid documents also should be deposited on the account head shown in tender, Account no – 203601001025 of ICICI Bank, Chatrapur (IFSC Code – ICIC0002036). The costs of bid document are not refundable but EMD will be refunded to unsuccessful bidders after completion of tender process. The

online bid must be uploaded with scanned copy of GST Certificate, PAN Card, Registration Certificate, Affidavits etc.

7. The DTCN need not be scanned and uploaded by the bidder. It shall be presumed that the bidder is bidding only after completely going through the DTCN and bid documents and agree to all of the terms and conditions described/ referred thereon.
8. The BOQ is Item Based & excluding GST , GST will applied as per Government's norms & condition at the time of completion.
9. After opening of the bid the L1 (successful) bidder must produce all the original documents for verification to this office and also submit EMD, ISD, PSD & APSD as per Govt. Guide line within three day of opening, if fails to this than next lower bidder will be invited for the work.
10. All bids received will remain valid for 90 days from the date of opening of tender but can be extended if agreed by the bidder and Municipality.
11. These works are urgent nature of work so time bound completion of work is mandatory, if bidder fails to do than serious action will be taken.
12. The authority reserves the right to cancel any or all the bids without assigning any reason thereof.


Executive Officer,
Chatrapur Municipality



ELIGIBILITY CRITERIA:

Criteria of eligibility for submission of bid documents

1. Bidder must be manufacturer of Lights and High Mast or their authorized dealer/agency. The authorized dealer/agency have to submit authorization Letter for High Mast/ Octagonal or Tubular Pole.
2. Bidder must have to submit Factory license documents details of manufacturing unit for High Mast/Pole it's must have registered under The Factory Act of Govt. of India & have ISO 9001, ISO14001, ISO45001 and all type latest machinery with inhouse testing facility for necessary inspection pole if required.
3. Bidder must have to submit technical documents like structural calculation of Mast/ Octagonal Pole suitable for wind speed as per 200/250 KM/ Hr. Undertakings will not be acceptable in this regard.
4. The OEM shall take the responsibility of design support, aiming & commissioning of street lighting system and it's performance if they participate directly **OR** for the authorized dealer/ agency for complete period up to end of the defect liability period. If them authorize agency quote for the bid, this shall be part of authorization letter on behalf of the OEM.
5. Bidder must be submitting following documents along with the tender technical bid & It is approved from SC Electrical before supply.
GAD of Street light High Mast/Octagonal/Tubular/Conical Pole.
Structural Calculation report of High Mast & Octagonal Pole.
Bidder must be submitting manufacturer warranty certificate (Mentation Invoice No. & Date) for Octagonal Pole and High Mast for 5 Years in manufacturer letter head.
6. Galvanization Both Fuel Should LPG base for better uniform Galvanization.
7. The necessary Dimensional test report, Galvanization test reports and raw materials test reports shall be provided against the supply of poles along with bill.
8. The Pole/High Mast/EN-8 Grade foundation bolt manufacture must have own manufacturing plant, third part supplier or manufacture material are not acceptable.
9. Make of HR steel SAIL/TATA/JINDAL & Material of construction:- Grade S355 as per BS EN 10025 for shaft and gussets Grade Fe410WA as per IS 2062 for flange & door stiffeners.
10. The Successful Bidder may deposit EMD (Approx 1% of Qoted Cost) within 7 days after completion of Tender Process if Authority asks. The EMD money deposit should be deposited by cash on Office by money receipt or deposit should be pledged in shape of NSC/POTD/POSB/KVP/DD issued from any Nationalized Bank in favor of Executive Officer, Municipality Chatrapur payable at Chatrapur.
11. It shall be presumed that the bidder is bidding only after completely going through the DTCN and bid documents and agree to all of the terms and conditions described/ referred thereon.

12. After opening of the bid the successful bidder must produce all the original documents for verification to this office and also submit EMD, ISD, PSD & APSD as per Govt. Guide line within three day of opening, if fails to this than next lower bidder will be invited for the work.

13. The bidder must be attached photo copy of GST Certificate, PAN Card, Registration Certificate, Work Experience etc.

14. The Tender is in Item rate Basis, bidder must quote rate of unit.

15. All bids received will remain valid for 90 days from the date of opening of tender but can be extended if agreed by the bidder and Municipality.

16. These supply orders are urgent nature of work so time bound supply is mandatory, if bidder fails to do than serious action will be taken or Work Order may be Cancelled.

17. The authority reserves the right to cancel any or all the bids without assigning any reason thereof.

18. The Bidder must have Turn over of 1.0 cr/year in last three years (ITR should be attached)

19. The bidder must completed similar work (10 nos) within this District in last Two years .

Sd/-

Executive Officer,
Chatrapur Municipality



GENERAL CONDITIONS CONTRACT

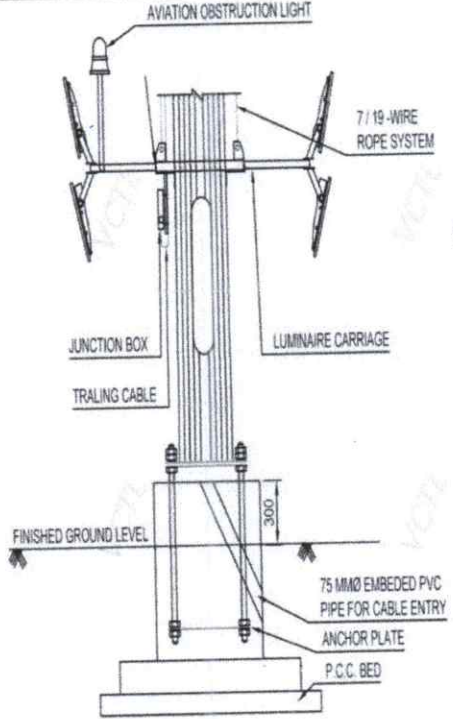
- 1) Tax will be applicable as per the norms of Govt.
- 2) Before submission of bid, the bidders should visit the work site and completely aware himself about site conditions, availability of materials, labour and water etc.
- 3) For any doubt regarding site location, drawing, design and specification of the work, the agency may contact the Municipal Engineer / Junior Engineer for clarification.
- 4) In case of change of site, specification and scope of work if required during execution, the decision taken by the Municipal Engineer shall be binding on the agency and no claims will be entertained for any changes done as per site condition.
- 5) The agency shall not sub-let the work to any other agency for execution. However he can appoint site in-charge / site-engineer on intimation to Municipality.
- 6) All Govt. dues like royalty and taxes etc. shall be deducted from the bills and will be deposited to concerned departments.
- 7) Security Deposit, I.T & GST, labor wellfarecess@ **1% (one percentage)** as per Govt. norms shall be deducted from each bill.
- 8) Additional performance security shall be deposited by the Success full bidder, when the bid amount is less than the estimated cost as per OPWD rule. The differential cost in shape of Post Office Saving Bank Account/National Saving certificate/Post Office Time Deposit Account/Kissan Vikash Patra/Fixed Deposit receipt of Schedule Bank at NAC, Chatrapur in favour of **The Executive Officer, Municipality Chatrapur, Chatrapur payable at Chatrapur.** Failing to deposit Additional Performance Security amount may cancel the tender at the discretion of the Municipality Authority. (Amendment to Appendix – IX, Clause-36 of OPWD Code Vol-II) (By inclusion vide O.M.No. 173/W Dtd. 03.01.2026)
- 9) No price escalation will be allowed either on material or on labour cost.
- 10) The contractor will use Govt approved rod (Steel) for the reinforcement work and cement like OCL, Ultratech, Konark & ACC for execution of the work.
- 11) The agency has to follow fare wages rule of Labour Deptt. and should not pay less than the prescribed minimum wages to any labour engaged at the work.
- 12) The agency has to make light arrangement, traffic diversion, water supply etc. at site if required, at their own cost.
- 13) Payment of bills will be made subject to availability of funds.
- 14) The agency has to complete the work in all respect within the specified date of completion otherwise the Municipality will be at liberty to impose penalty on the agency as recommended by the Executive Officer/ Municipal Engineer.
- 15) In case of concrete works, it will be the responsibility of the agency to protect the work site day and night from traffic movement till end of curing period for achieving proper strength.
- 16) Any dispute in this work if arises shall be referred to the council for decision. If not satisfied, legal shelter may be taken by both the parties limited to Odisha State Jurisdiction.
- 17) The authority reserves the right to deduct any amount from the bills for any type of defective works and the agency may be directed to completely or partly dismantle the defective work and rectify or re-do as per specification.
- 18) Detailed Orissa standard specifications & OPWD norms will be followed for all items wherever the description in items of work is found insufficient to follow.
- 19) The authority may ask the tendering agency to reduce the rates on negotiation if felt non affordable.

- 20) The authority reserves the right to reject any or all the tenders without assigning any reason thereof and no claims shall be entertained towards cost of tender papers.
- 21) The authority may ask the successful contractor to deposit 1% of bid amount as Interim Security Deposit after reviewing his past performance before giving work order.
- 22) The agency will be sole responsible for quality and quantity of work as specified in tender schedule and as measured and accepted for bills. If any discrepancy or recovery arises or detected by any agency later on, the same will be binding on the contractor for rectification or recovery at his own cost.
- 23) Request for transfer/adjustment of earnest money deposit from other works will not be entertained.
- 24) The written agreement in OPWD Form No. P1 to be entered into between the successful tenderer here-in-after called the contractor and the Municipality Chatrapur, Chatrapur shall be the foundation of the rights of both the parties and the contract shall be deemed to be incomplete until the agreement has been first signed by the contractor and then by the proper officer authorized to enter into the contract on behalf of the State Govt.
- 25) A bidder can submit only one tender paper for a particular work. Submission of more than one tender paper by a bidder for a particular work will be liable for rejection of all such tender papers.
- 26) The original documents of scan copies furnished in e-tendering process by the bidder and the enrollment fees shall be submitted within 3 (three) days of opening of the tender for verification so as to failing which the tender will be considered as Non-responsive.
- 27) Bidder must be furnished the scanned copies of the following documents:
 - i) GST Certificate.
 - ii) PAN Card.
 - iii) Registration Certificate.(Electrical License)
 - iv) Turnover Certificate
 - v) Experience Certificate
- 28) The lowest tendered shall submit **the quality test certificate report of materials** used in work, as and when required.
- 29) No claim for compensation for any damage caused by rain or any other natural calamities during the execution of work will be entertained.
- 30) Under no circumstances interest is chargeable to the contractor for the due or additional dues if any payable to him for the work.
- 31) All tender received will remain valid for period of 90 to 120 days from the date of receipt of tender.
- 32) The Bidder will be take maintenance of the item for 5 years, damage or any maintenance will be done by Bidder.

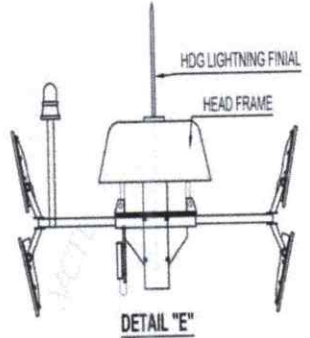

Executive Officer,
Chatrapur Municipality



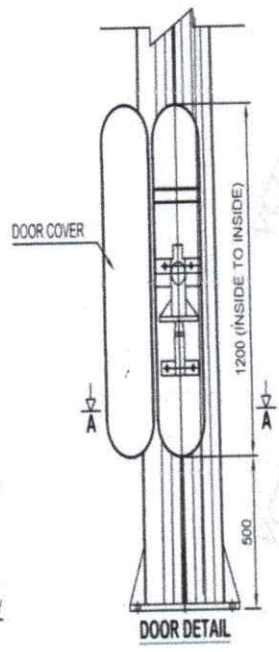
ALL DIMENSIONS ARE IN M.M. UNLESS OTHERWISE MENTIONED.



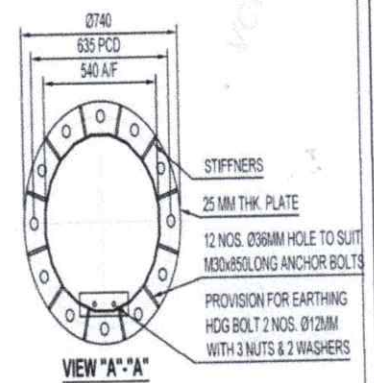
ENLARGED DETAIL AT BASE WITH LUMINAIRE CARRIAGE LOWERED



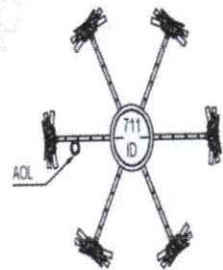
DETAIL "E"



DOOR DETAIL



VIEW "A-A"



6 ARM LUMINAIRE CARRIAGE FITTED WITH 12 LUMINAIRES SYMMETRICAL TYPICAL ARRANGEMENT

- NOTES :-**
- ALL DIMENSIONS ARE IN M.M.
 - CRITERIA :
 - BASIC WIND SPEED - IS : 875 PART III : 1987
 - MATERIALS :
 - SHAFT/GUSSETS : HOT ROLLED STEEL PLATE CONFORM TO IS 2082 / BSEN 10025 OR EQUIVALENT GRADE. (MIN 350 Mpa GRADE)
 - FLANGE/DOOR STIFFENER : AS PER IS-2002 / BS EN 10025 OR EQUIVALENT GRADE. (MIN 250 Mpa GRADE)
 - FOUNDATION BOLTS : EN 8 GRADE
 - MAST SHAFT WILL HAVE MULTIPLE LONGITUDINAL WELDS
 - FINISHING : HOT DIP GALVANIZED TO BS EN ISO 1461/S 2629/S4759.
 - IN CASE OF NON AVAILABILITY OF MATERIALS OF DESIRED SIZE / THICKNESS MATERIAL OF HIGHER SIZE / THICKNESS MAY BE USED.
 - MAKE OF THE POLE 'DURA MAST'.

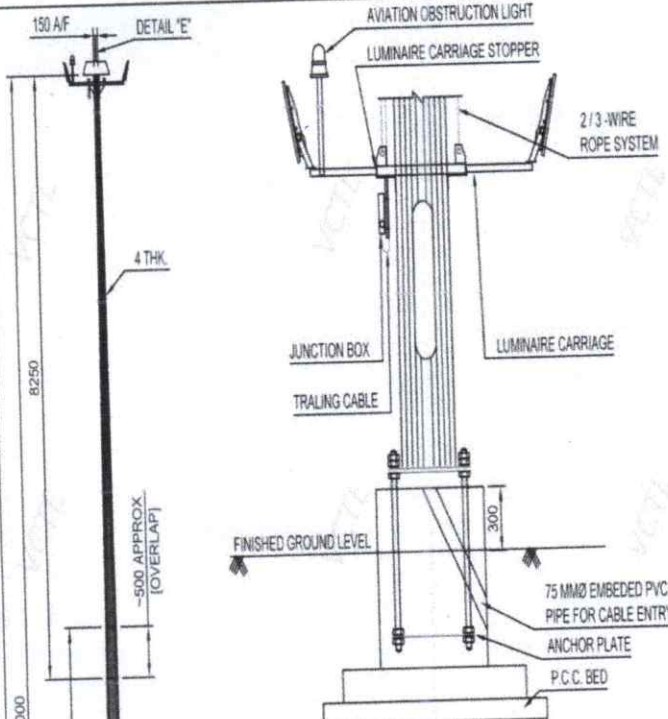
GAD FOR CLIENT APPROVAL

| REV. NO. | DATE | REVISION/DESCRIPTION | DRWN. | CHKD. | APPRD. |
|----------|------|----------------------|-------|-------|--------|
| | | | | | |

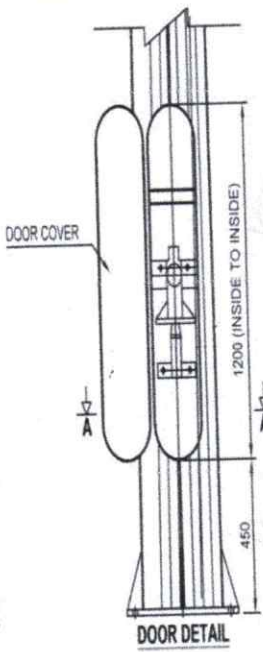
THE DRAWING IS THE PROPERTY OF GAD. IT IS TO BE USED ONLY FOR THE PROJECT AND NOT TO BE REPRODUCED OR COPIED FOR ANY OTHER PURPOSE WITHOUT THE WRITTEN PERMISSION OF GAD.

ELEVATION

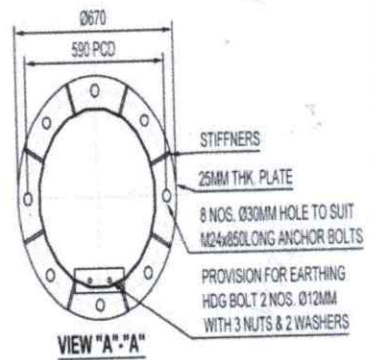
TOLERANCE:-
 DIAMETERS A/F +/- 1%
 ANY LENGTH MEASURED +/- 1.5%
 STRAIGHTNESS +/- 0.3%



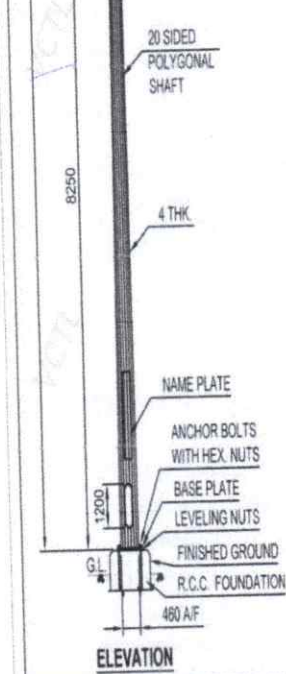
ENLARGED DETAIL AT BASE WITH LUMINAIRE CARRIAGE LOWERED



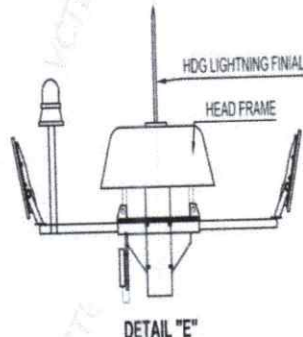
DOOR DETAIL



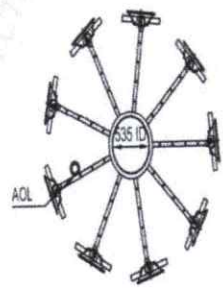
VIEW "A"-A"



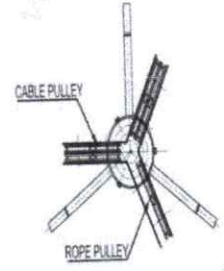
ELEVATION



DETAIL "E"



9 ARM LUMINAIRE CARRIAGE FITTED WITH 9 LUMINAIRES SYMMETRICAL TYPICAL ARRANGEMENT



HEAD FRAME ASSY.

- NOTES:-**
- ALL DIMENSIONS ARE IN M.M.
 - CRITERIA:
 - BASIC WIND SPEED - IS : 875 PART III : 1987
 - MATERIALS:
 - SHAFT/GUSSETS - HOT ROLLED STEEL PLATE CONFORM TO IS 2062 / BS EN 10025 OR EQUIVALENT GRADE. (MIN 350 Mpa GRADE)
 - FLANGE/DOOR STIFFENER - AS PER IS-2062 / BS EN 10025 OR EQUIVALENT GRADE. (MIN 250 Mpa GRADE)
 - FOUNDATION BOLTS : EN 8 GRADE
 - MAST SHAFT WILL HAVE MULTIPLE LONGITUDINAL WELDS.
 - FINISHING - HOT DIP GALVANIZED TO BS EN ISO 1461/S 2629/S4759.
 - IN CASE OF NON AVAILABILITY OF MATERIALS OF DESIRED SIZE / THICKNESS MATERIAL OF HIGHER SIZE / THICKNESS MAY BE USED
 - MAKE OF THE POLE "DURA MAST".

GAD FOR CLIENT APPROVAL

| REV. NO. | DATE | REVISION DESCRIPTION | DRWN | CHEK | APPR |
|----------|------|----------------------|------|------|------|
| | | | | | |